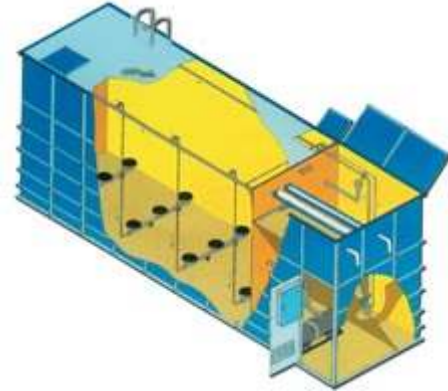


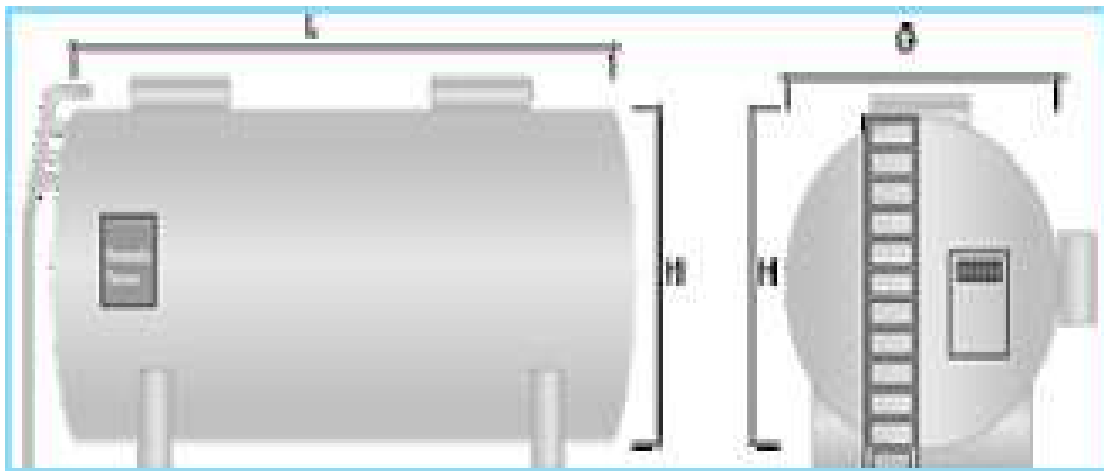
SUPEV –PACKAGED WASTE WATER TREATMENT PLANT

Designed, developed and manufactured under our stringent quality assurance system, SUPEV, Packaged Waste Water Treatment Plant with capacities ranging from 10 to 250 people provides an ideal and economical solution for the treatment of domestic waste water of factories, villas, residential complexes, holiday villages, small towns, military accomodations and schools where no sewer line exist.



SUPEV PACKAGED WASTE WATER TREATMENT PLANT MODELS

Model	Capacity (m ³ /day)	Reactor Tank Dimensions	
		Diameter	Lenght (cm)
SUPEV10	2	120	176
SUPEV20	5	160	250
SUPEV30	6	160	300
SUPEV40	8	180	315
SUPEV50	10	200	325
SUPEV70	15	220	395
SUPEV100	20	240	460
SUPEV150	30	280	510
SUPEV200	40	300	585
SUPEV250	50	300	730



Suar Mühendislik & Tic. Ltd. Şti.

Address: Anadolu Cad. No:175/5 35020 Bayrakli – Izmir / TURKEY

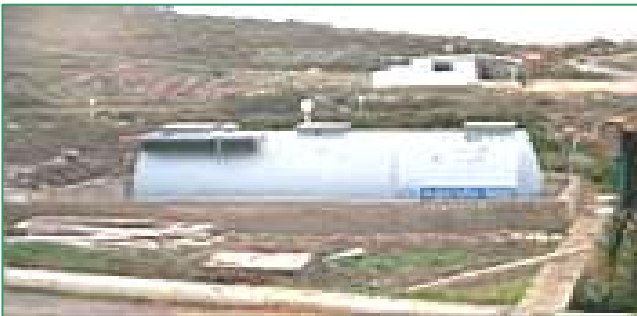
Tel: +90.232.3410632 Fax:+90.232.3410953

Email: suar@suar.com.tr web: www.suar.com.tr

- The effluent complies the discharge quality criteria given in the Water Pollution Control Legislation of the Turkish Environmental Law.
- Treated water can be discharged directly to receiving environment or it may be used for irrigation and other similar purposes.
- SUPEV packaged waste water treatment plant is working on the principle of activated sludge process and also a compact unit with containing all required equipment in itself.
- SUPEV packaged waste water treatment unit consists of aeration / precipitation unit, disinfection unit and machinery control room.
- SUPEV packaged waste water treatment unit is economical, highly efficient in a small area and simple to operate and maintain.
- Control of the treatment unit is fully automatic and human factor is reduced to minimum.
- Reactor tank of SUPEV is manufactured from polypropilen material in order to provide high resistance to waste water and oxygen corrosion. Poly-ethilen and stainless steel materials are optional.

APPLICATION AREAS OF SUPEV PACKAGED WWTP

1. Residential Complexes
2. Factories
3. Hotel & Holiday Villages
4. Camp Sites
5. Working Sites
6. School & Hospitals
7. Small Towns



Suar Mühendislik & Tic. Ltd. Şti.

Address: Anadolu Cad. No:175/5 35020 Bayraklı – İzmir / TURKEY

Tel: +90.232.3410632 Fax:+90.232.3410953

Email: suar@suar.com.tr web: www.suar.com.tr